

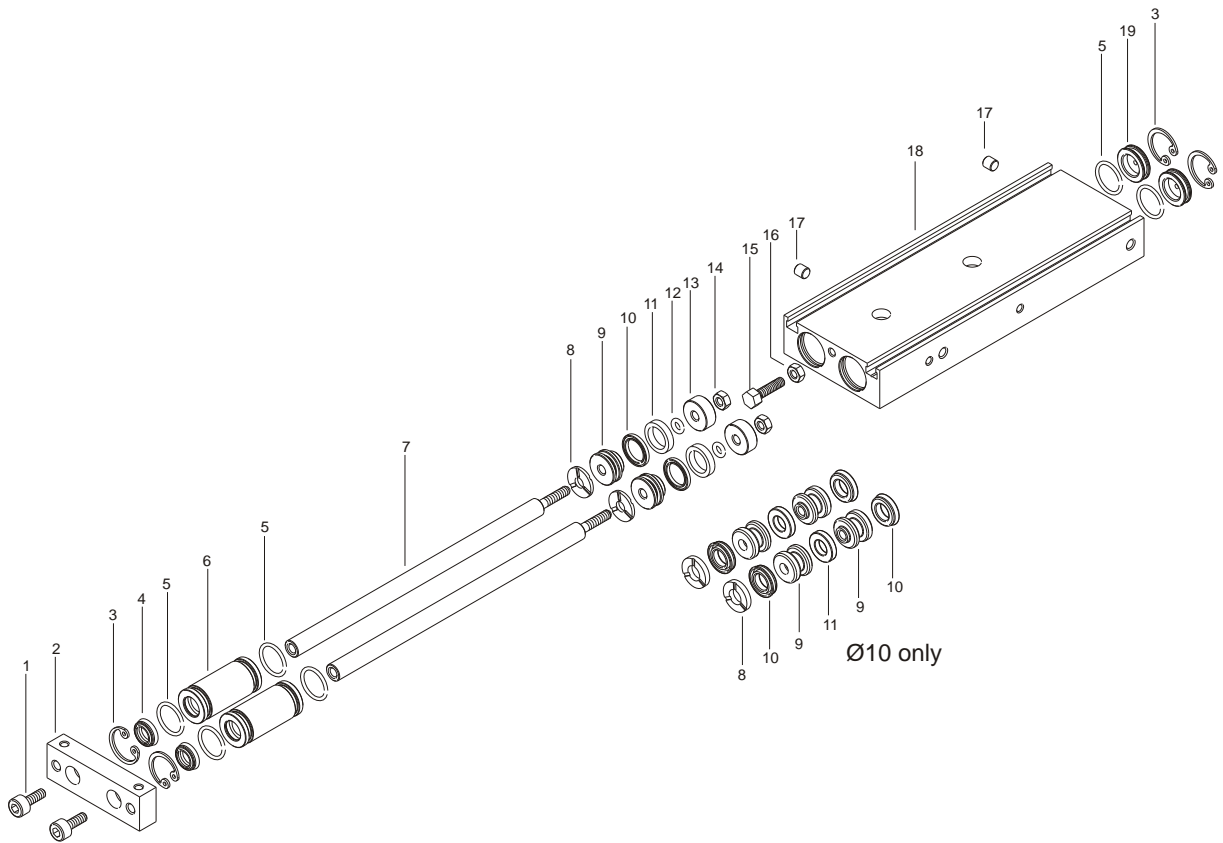


PNEUMATIC SLIDE UNITS

	Page
Twin rod slide units	
Component descriptions	2.1
Ordering codes, technical data	2.2
Overall dimensions	2.3
Operating conditions	2.4 - 2.5
Push/pull twin rod slide units	
Component descriptions	2.7
Ordering codes, technical data	2.8
Overall dimensions	2.9 - 2.10
Operating conditions	2.11-2.12
Magnetic sensors	2.13

Twin rod slide units
Component description

Series 6200



Pos.	Item	Qty.	Pos.	Item	Qty.
1	Rods screw	2	11	Magnet	1
2	Plate	1	12	Seal	2
3	Circlip	4	13	Spacer	4*
4	Piston rod seal	2	14	Piston nut	1
5	Seal	4	15	Adjusting bolt	1
6	Bush	2	16	stop nut	2
7	Rod	2	17	Plug	1
8	Cushioning washer	2	18	Body	2
9	Piston	*	19	End plate	4**
10	Piston seal	*			
* n. 4 for bore Ø 10, n.2 for all other bores			** not in bore Ø 10, n.2 for all other bores		



Ordering code

6200.Ø.stroke.
 10
 15
 20
 25
 32

B = Control unit with bronze bush
 C = Control unit with bearing bush

Magnetic sensors: see page.2.13

Construction characteristics

Body	oxidated aluminium alloy
Rods	C43 chromed steel (control unit with Bronze bush) tempered and chromed steel (control unit with Bearing bush)
Piston	aluminium
Rod bushing	brass
End plate	oxidated aluminium
Piston seal	oil resistant NBR rubber
Piston rod seal	self lubricating polyurethane compound
Plate	oxidated aluminium

Technical characteristics

Function	double acting
Fluid	filtered and lubricated or non lubricated air
Max. pressure	7 bar
Working temperature	-5°C ÷ +70°C
Cushioning	elastic bumper

Standard strokes

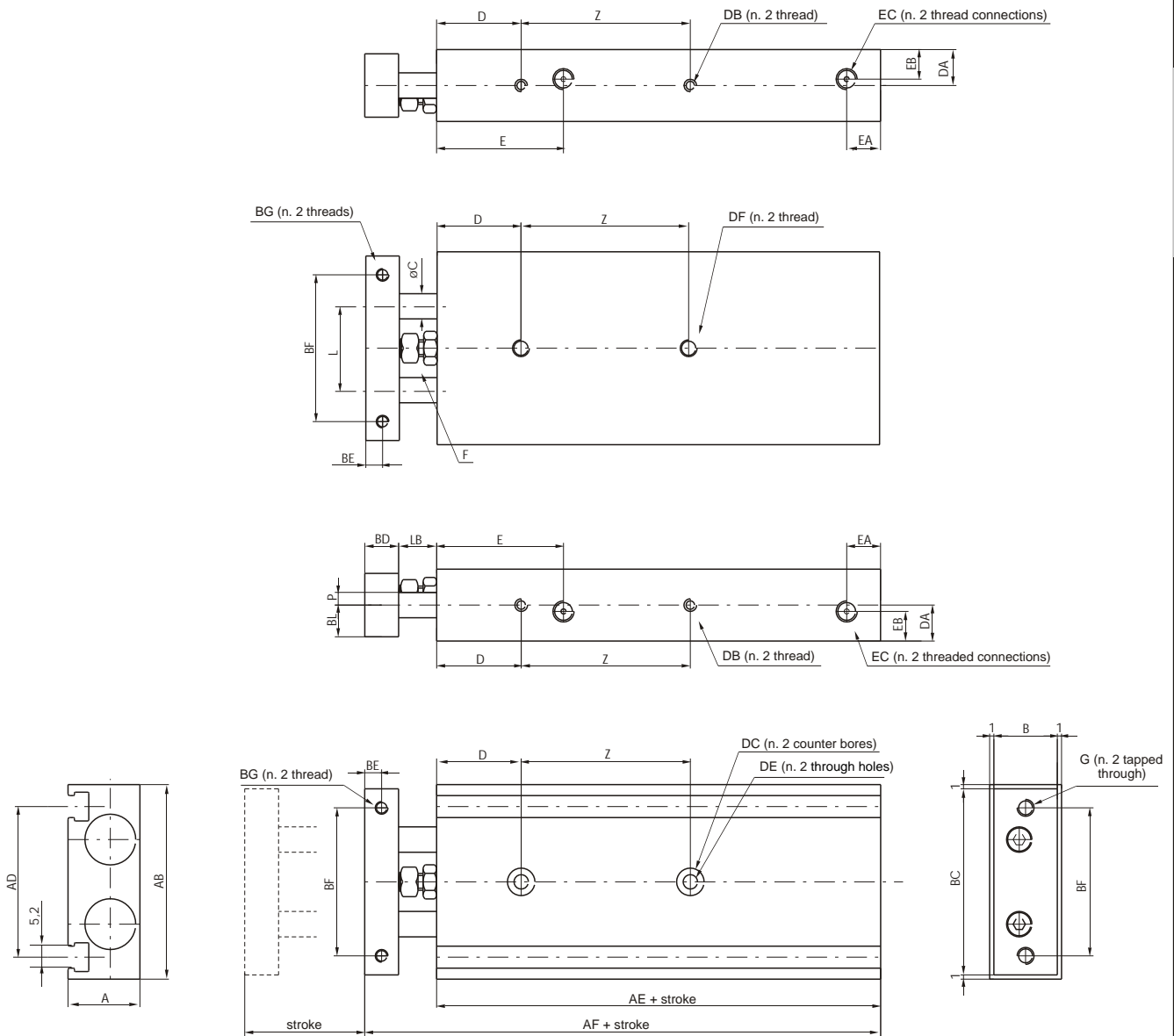
Bore	Stroke (mm)														
	10	15	20	25	30	35	40	45	50	60	70	75	80	90	100
Ø10
Ø15
Ø20
Ø25
Ø32

Twin rod slides units
Overall dimensions $\varnothing 10 - \varnothing 15$

Series 6200



2



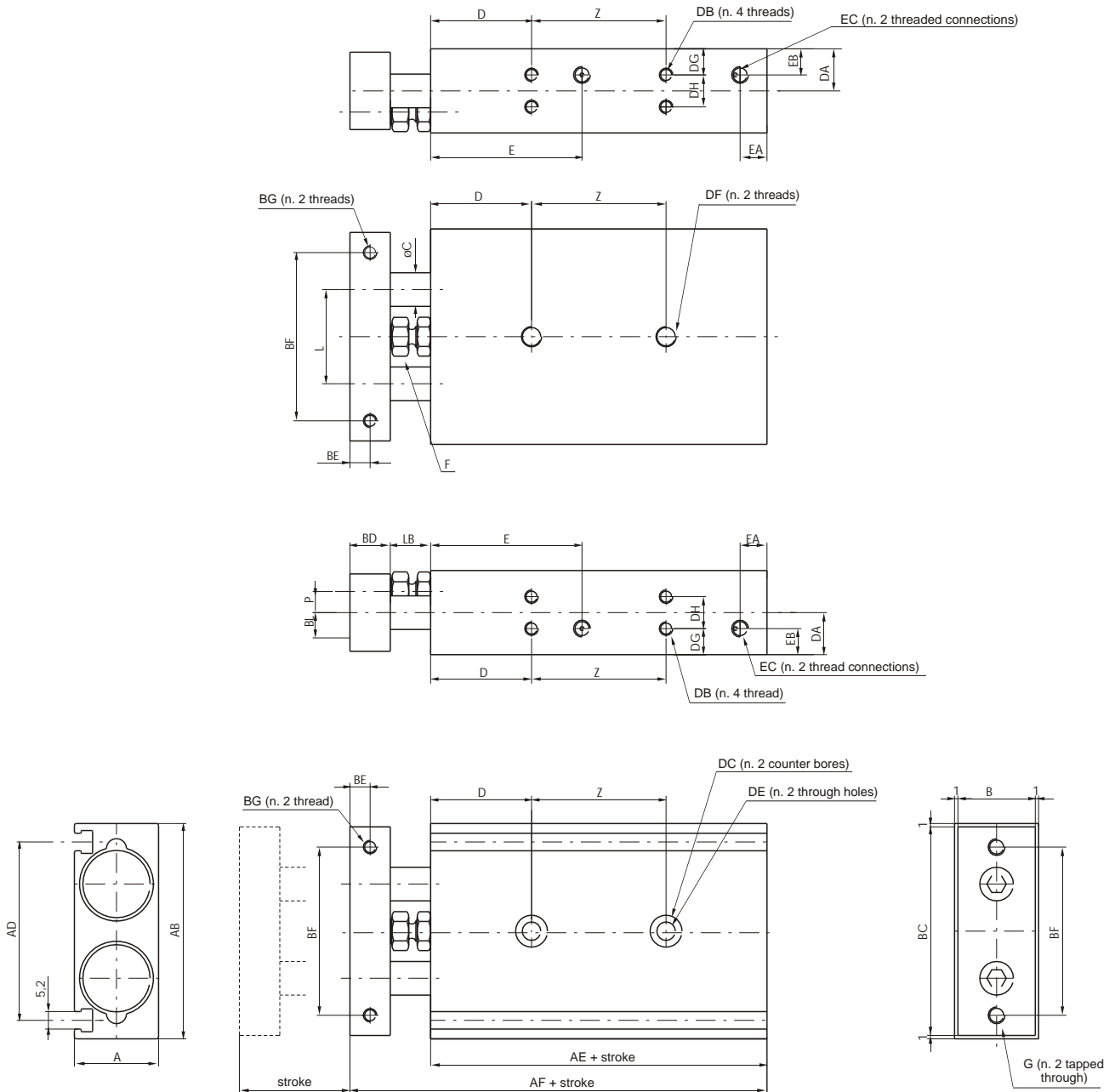
Bore	A	AB	AD	AE	AF	B	BC	BD	BE	BF	BG	BL	C	D	DA	DB	DC	DE
10	17	46	33,6	55	72	15	44	8	4	35	M3x0,5 (depth 5)	6	6	20	7	M3x0,5 (depth 4,5)	6,5 (depth 3,3)	3,4
15	20	58	48	60	79	18	56	10	5	45	M4x0,7 (depth 6)	9	8	30	10	M4x0,7 (depth 5)	8 (depth 4,4)	4,3

Bore	DF	E	EA	EB	EC	F	G	L	LB	P	Z				
10	M4x0,7 (depth 7)	30	8	7	M5x0,8 (depth 4,5)	M4x0,7	M4x0,7	20	9	4,7	30	40	50	-	-
15	M5x0,8 (depth 8)	38,5	8	10	M5x0,8 (depth 4,5)	M4x0,7	M5x0,8	25	9	5	25	35	45	55	
											10-15	30-35	60-70	80	90-
											20-25	40-45	75	100	
											stroke				



Twin rod slides units
Operating instructions $\varnothing 20 - \varnothing 25 - \varnothing 32$

Series 6200



Bore	A	AB	AD	AE	AF	B	BC	BD	BE	BF	BG	BL	C	D	DA	DB	DC	DE
20	25	64	53	70	94	23	62	12	6	50	M4x0,7 (depth6)	11,5	10	30	12,5	M4x0,7 (depth6)	9,5 (dept h 5,3)	5,5
25	30	80	64	72	96	28	78	12	6	60	M5x0,8 (dept h 7,5)	14	12	30	15	M5x0,8 (dept h 7,5)	11 (depth6,3)	6,9
32	38	98	76	82	112	36	96	16	8	75	M5x0,8 (depth8)	18	16	30	19	M5x0,8 (dept h 7,5)	11 (depth6,3)	6,9

Bore	DF	DG	DH	E	EA	EB	EC	F	G	L	LB	P	Z			
20	M6x1 (depth10)	7,75	9,5	45	8	7,8	M5x0,8 (depth4,5)	M6x1	M5x0,8	28	12	6,3	30	40	60	
25	M8x1,25 (depth12)	8,5	13	46	9	15	G1/8 (depth6,5)	M6x1	M6x1	35	12	8,3	30	40	60	
32	M8x1,25 (depth12)	9	20	56	10	19	G1/8 (depth6,5)	M8x1,25	M6x1	44	14	12	40	50	70	
													10-15	30-35	60-70	90-
													20-25	40-45	75	100
													stroke			



Theoretical cylinder force

Bore		Force (N)							
		1	1,5	2	3	4	5	6	7
Ø10	Out	16	23,5	31,5	47	63	78,5	94	110
	In	10	15	20	30	40	50	60	70
Ø15	Out	35,5	53	70,5	106	141	176,5	212	247
	In	25	38	50,5	75,5	101	126	151	176,5
Ø20	Out	63	94	126	189	251	314	377	440
	In	47	62,5	94	141	188	236	283	330
Ø25	Out	98	148	197	295	393	491	589	688
	In	75,5	114	151	227	303	378	454	529
Ø32	Out	161	241	322	483	643	804	965	1126
	In	121	181	241	362	483	603	724	844
		1	1,5	2	3	4	5	6	7
		Working pressure (bar)							

Weights

Control unit with bronze bush

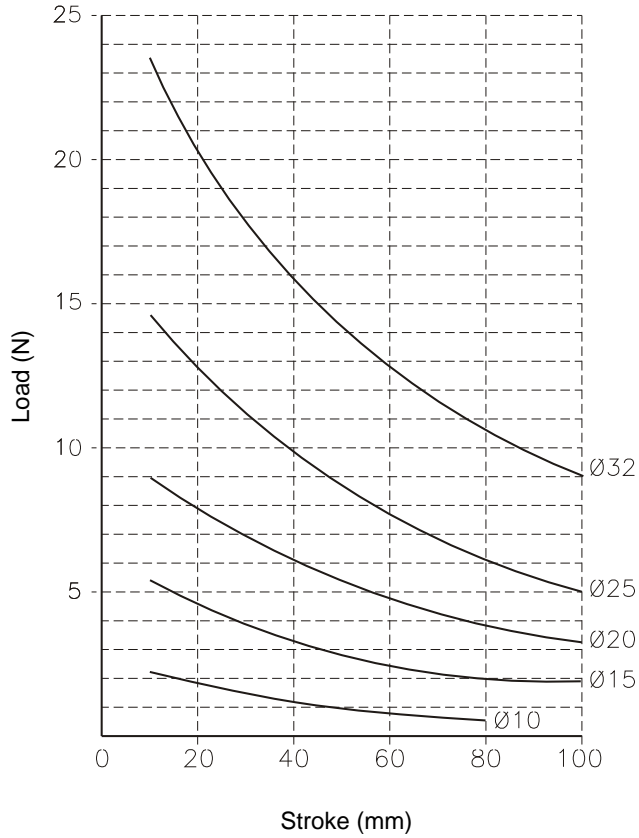
Bore	Weight (gr.)															
	10	15	20	25	30	35	40	45	50	60	70	75	80	90		
Ø10	150	160	170	180	190	200	210	220	230	250	270	280				
Ø15	250	265	280	290	300	315	330	345	360	390	420	435	450	480		
Ø20	400	420	440	460	480	495	510	530	550	585	620	640	660	700		
Ø25	610	635	660	690	720	745	770	800	830	890	950	970	995	1060		
Ø32	1150	1190	1230	1275	1320	1360	1400	1450	1490	1580	1665	1710	1755	1840		
	10	15	20	25	30	35	40	45	50	60	70	75	80	90		
		Stroke														

Control unit with bearing bush

Bore	Weight (gr.)															
	10	15	20	25	30	35	40	45	50	60	70	75	80	90	100	
Ø10	160	165	170	180	190	200	210	220	230	250	270	280				
Ø15	270	285	300	310	320	335	350	365	380	410	440	455	470	500	530	
Ø20	430	445	460	480	500	515	530	550	570	605	640	660	680	715	750	
Ø25	620	645	670	700	730	755	780	810	840	895	955	980	1005	1065	1110	
Ø32	1160	1205	1250	1295	1340	1380	1420	1465	1510	1595	1680	1720	1765	1855	1940	
	10	15	20	25	30	35	40	45	50	60	70	75	80	90	100	
		Stroke														

Permissible loads

Control unit with bronze bush



Control unit with bearing bush

