

Needle Valve

NV4

Type needle valves with hard seat are designed for use on applications requiring complete isolation or throttling of the media. The conical metal tip (Stem Type CT) press fitted ensures perfect alignment for positive bubble tight shut-off. Available with end connections in sizes from 1/8" to 1" and a wide choice in connections of female screwed, male screwed, male to female screwed or socket weld.

Technical specifications

Design Pressure	:	6000 PSI / 400 bar
Max temp.	:	240°C
Material	:	Stainless Steel
Stem	:	(Type CT) Conical tip press fitted hard chrome plated
Gland Packing	:	PTFE
Stem packing area	:	Burnished finish for Smooth valve operation.
Safety Feature	:	Back seating for preventing stem blowout.

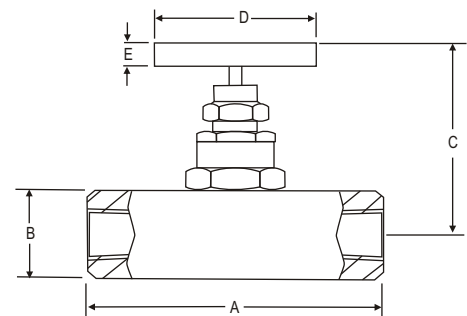
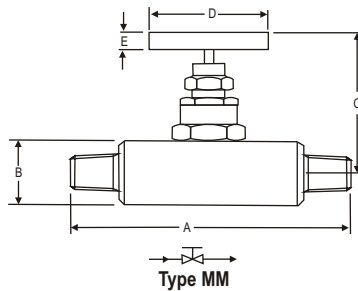


Size	Type	Length A	Width B	Height open) Max., C	Handle D	Handle OD E
1/8"	FxF	50	22	55	40	10
	MxF	55	22	55	40	10
	MxM	60	22	55	40	10
1/4"	FxF	55	25	63	40	10
	MxF	65	25	63	40	10
	MxM	60	25	63	40	10
3/8"	FxF	55	25	63	40	10
	MxF	65	25	63	40	10
	MxM	65	25	63	40	10
1/2"	FxF	65	32	83.6	50	12
	MxF	75	32	83.6	50	12
	MxM	70	32	83.6	50	12
3/4"	FxF	70	38	88.6	50	12
	MxF	75	38	88.6	50	12
	MxM	80	38	83.6	50	12
1"	FxF	90	45	98	70	12
	MxF	105	45	98	70	12
	MxM	105	45	98	70	12

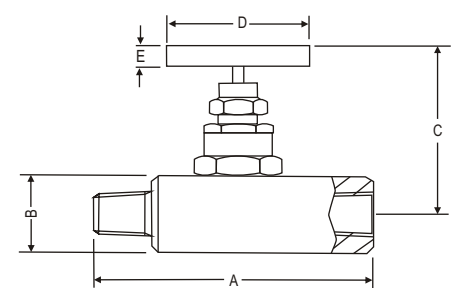
All dimensions are in mm

Applications

- High pressure line shut off.
- Instrument isolation.
- Gauge isolation.
- Drain valve.
- Liquid and vapor service.



Type FF



Type MF

Optional : NV 10 - High pressure valves for 10,000 psi pressure
 NV 20 - High pressure valves for 20,000 psi pressure

Note : Other combination sizes available on request. Please contact factory for more details.

How to order : NV4, NV10, NV20

Needle Valve

Body Material	Stem Packing	Size = P x P1	Connections	Threads
C = Carbon Steel	P = PTFE	22 = 1/8" x 1/8"	FF = Female x Female	N = NPT (ANSI B 1.20.1)
S = SS 316	G = Grafoil	24 = 1/4" x 1/4"	MF = Male x Female	P = BSPP (BS 2779, ISO 228/1)
S4 = SS 304		33 = 3/8" x 3/8"	MM = Male x Male	B = BSPT (BS 21, ISO 7/1)
SL = SS 316L		44 = 1/2" x 1/2"	SW = Socket Weld	
M4 = Monel 400		66 = 3/4" x 3/4"		
M5 = Monel 500		88 = 1" x 1"		
H = Hastelloy C				
B = Brass				

Options -

IE : Handle circular.

TF : Compliance to NACE standard MR-0175.

SG : For Oxygen service, valves are supplied cleaned, degreased and suitably packed.

GH : Material test certificate

GO : Hydro test certificate

Example

To place an order simply refer to the codes in the table.

Valve Type : **Body Material** + **Stem Packing** + **Size** + **Connections** + **Threads** + Options

NV4 : S + P + 44 + FF + N = NV4 - S - P - 44 - FF - N - Options

Note -

The weld prepared types are available with a male-or-female plain end - suitable for socket weld, or male butt weld end. Always specify pipe schedule and further requirements when ordering valves for welded or Flange connections. Panel mounting option for installation in racks and panels.

Standard Valve Materials

Valve	Body	Bonnet	Stem	Tip
Carbon Steel	CS A105	CS A105	SS 304	SS 304
Stainless Steel	SS 316	SS 316	SS 316	SS 316
Monel	Monel	Monel	Monel	Monel