

Miniature Valve

Type miniature compact design needle valves are ideal for bubble tight shut-off in applications where space is at a premium. The mini series are available with metal to metal low torque seating (Stem Type YS). Available with end connections in sizes 1/8" to 1/4" and as pipe connections.

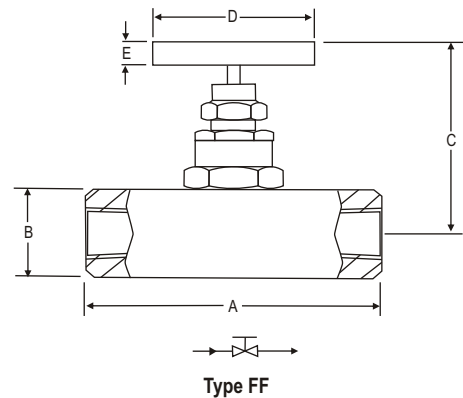
Technical specifications

Design Pressure	:	3000 PSI / 200 bar
Max temp.	:	240°C
Gland Packing	:	PTFE
Stem packing area	:	Burnished finish for smooth valve operation.
Safety Feature	:	Back seating for preventing stem blowout.
Feature	:	Metal to metal seating Material Stainless Steel



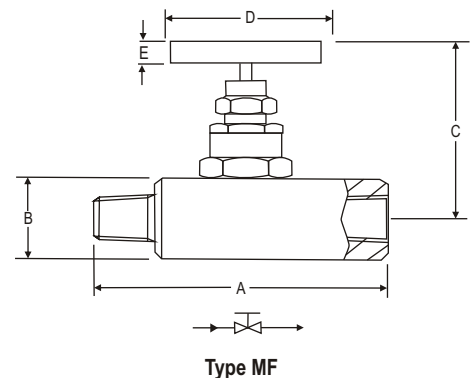
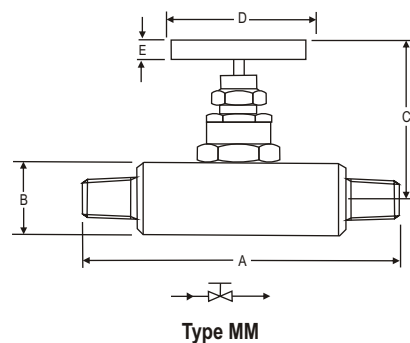
Size	Type	Length A	Width B	Height (open) C	Handle D	Handle OD E
1/8"	FxF	50	22	56	40	10
	MxF	56	22	56	40	10
	MxM	60	22	56	40	10
1/4"	FxF	55	22	56	40	10
	MxF	65	22	56	40	10
	MxM	60	22	56	40	10

All dimensions are in mm



Applications

- Instrument air lines
- Control panels
- Air header assemblies
- Gas sampling
- Laboratory equipment
- Instrument isolation
- Control loops
- Gas and liquid service



Note : Other combination sizes available on request. Please contact factory for more details.

How to order :

Miniature Valve

Body Material	Stem Packing	Size = P x P1	Connections	Threads
S = SS 316	P = PTFE	22 = 1/8" x 1/8"	FF = Female x Female	N = NPT (ANSI B 1.20.1)
S4 = SS 304		24 = 1/4" x 1/4"	MF = Male x Female	P = BSPP (BS 2779, ISO 228/1)
SL = SS 316L				
B = Brass				

Options -

IE : Handle circular.

TF : Compliance to NACE standard MR-0175.

SG : For Oxygen service, valves are supplied cleaned, degreased and suitably packed.

GH : Material test certificate

GO : Hydro test certificate

Example

To place an order simply refer to the codes in the table.

Valve Type : Body Material + Stem Packing + Size + Connections + Threads + Options

Y2 + S + P + 24 + FF + N = Y2 - S - P - 24 - FF - N - Options

Note -

The weld prepared types are available with a male-or-female plain end - suitable for socket weld, or male butt weld end. Always specify pipe schedule and further requirements when ordering valves for welded or Flange connections. Panel mounting option for installation in racks and panels.

Standard Valve Materials

Valve	Body	Bonnet	Stem	Tip
Carbon Steel	CS A105	CS A105	SS 304	SS 304